

## SECTION 3. PARTS INFORMATION

### **3-1. INTRODUCTION**

This section identifies and lists the replaceable parts of the Henny Penny SCR Rotisserie.

### **3-2. GENUINE PARTS**

Use only genuine Henny Penny parts in your cabinet. Using a part of lesser quality or substitute design may result in cabinet damage or personal injury.

### **3-3. HOW TO ORDER**

Once the part you want to order has been found in the Parts List, write down the following information:

1. From the Parts List

(Sample)

Item Number 3

Part Number 40241

Description LHHub

2. From the data plate

(Sample)

Product Number SCR6.0

Serial Number AE001IH

Voltage 208V

### **3-4. PRICES**

Your distributor has a price parts list and will be glad to inform you of the cost of your parts order.

### **3-5. DELIVERY**

Commonly replaced items are stocked by your distributor and will be sent out when your order is received. Other parts will be ordered by your distributor from Henny Penny Corporation. Normally, these will be sent to your distributor within three working days.

### **3-6. WARRANTY**

All replacement parts (except lamps and fuses) are covered under warranty for 90 days against manufacturing defects and workmanship. If damage occurs during shipping, notify the carrier at once so that a claim may be properly filed. Refer to warranty on the front of this section for other rights and limitations.

### **3-7. RECOMMENDED SPARE PARTS FOR DISTRIBUTORS**

Recommended replacement parts, stocked by your distributor, are indicated with ✓ in the parts lists. Please use care when ordering recommended parts, because all voltages and variations are marked. Distributors should order parts based upon common voltages and equipment sold in their territory.

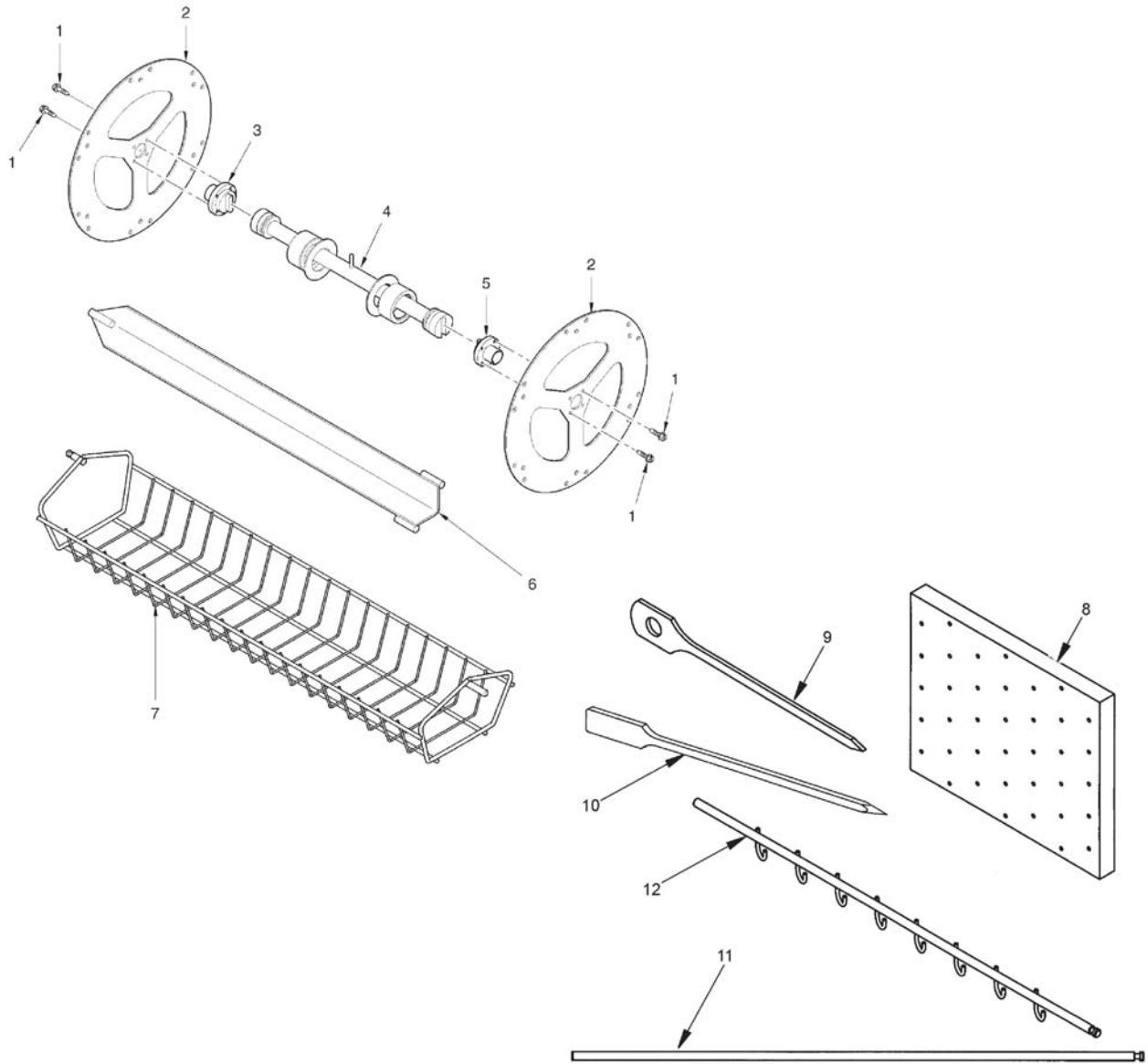
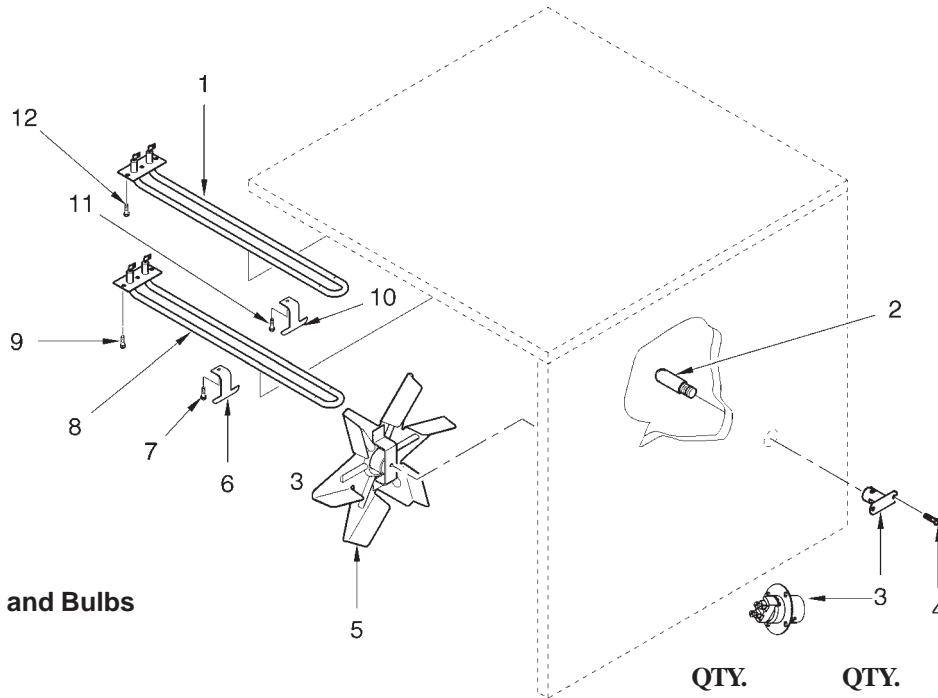


Figure 3-1. Drive Assembly

FIGURE & ITEM NO.	PART NO.	DESCRIPTION	QTY. SCR-8	QTY. SCR-6	QTY. SCR-3
1	SC01-172	SCREW 1/4-20 X 3/8 PH THD SS	8	8	8
2	40927	DISC - FINISH - SCR-6	-	2	-
2	49195	DISC - COATED - SCR-6	-	2	-
2	40926	DISC - FINISH - SCR-8	2	-	-
2	49184	DISC - COATED - SCR-8	2	-	-
2	43683	DISC - FINISH - KFC - SCR-6	-	2	-
2	44400	DISC - FINISH - SCR-3	-	-	2
2	51238	DISC - COATED - SCR-3	-	-	2
2	41350	LH DISC ASSY - COMPLETE - SCR-8	1	-	-
2	49182	LH DISC ASSY-COATED - COMPLETE - SCR-8	1	-	-
2	41349	RH DISC ASSY - COMPLETE - SCR-8	1	-	-
2	49183	RH DISC ASSY-COATED - COMPLETE - SCR-8	1	-	-
2	40992	LH DISC ASSY - COMPLETE - SCR-6	-	1	-
2	49193	LH DISC ASSY-COATED - COMPLETE - SCR-6	-	1	-

FIGURE & ITEM NO.	PART NO.	DESCRIPTION	QTY. SCR-8	QTY. SCR-6	QTY. SCR-3
3-1		DRIVE ASSEMBLY (Contd)			
2	40991	RH DISC ASSY - COMPLETE - SCR-6	-	1	-
2	49194	RH DISC ASSY-COATED - COMPLETE - SCR-6	-	1	-
2	44342	LH DISC ASSY - COMPLETE - SCR-3	-	-	1
2	51239	LH DISC ASSY-COATED - COMPLETE - SCR-3	-	-	1
2	44343	RH DISC ASSY - COMPLETE - SCR-3	-	-	1
2	51240	RH DISC ASSY-COATED - COMPLETE - SCR-3	-	-	1
2	58141	LH DISC ASSY-6 BSKT (ALBERTSONS)	1	-	-
2	58142	DRIVE DISC ASSY-6 BSKT (ALBERTSONS)	1	-	-
2	67666	ASSY- DRIVE DISC-COATED 7 BSKT (WALMART)	1	-	-
2	67665	ASSY- LH DISC-COATED 7 BSKT (WALMART)	1	-	-
3	40241	LH HUB	1	1	1
3	49186	LH HUB - COATED	1	1	1
4	40827	WELDMENT - DRIVE TUBE - SCR-8	1	-	-
4	49185	WELDMENT - DRIVE TUBE - SCR-8 - COATED	1	-	-
4	40826	WELDMENT - DRIVE TUBE - SCR-6/3	-	1	1
4	49192	WELDMENT - DRIVE TUBE - SCR-6/3 - COATED	-	1	1
5	40242	HUB - DRIVE SIDE	1	1	1
5	49187	HUB - DRIVE SIDE - COATED	1	1	1
6	40213	SPIT - WELDMENT - SCR-8	8	-	-
6	49178	SPIT - WELDMENT - SCR-8 - COATED	8	-	-
6	40613	SPIT - WELDMENT - SCR-6/3	-	6	3
6	49188	SPIT - WELDMENT - SCR-6/3 - COATED	-	6	3
6	03469*	SPIT - PIERCING - SCR-8	8	-	-
6	51268*	SPIT - PIERCING - SCR-8 - COATED	8	-	-
6	63739*	SPIT - PIERCING - SCR-6/3	-	6	3
6	64087*	SPIT - PIERCING - SCR-6/3 - COATED	-	6	3
7	03467	BASKET - STD. - SCR-8	8	-	-
7	03605	BASKET - COATED - SCR-8	8	-	-
7	03473	BASKET - STD. - SCR-6/3	-	6	-
7	03604	BASKET - COATED - SCR-6	-	6	-
7	03471	BASKET - STD. - SCR-3	-	-	3
7	03603	BASKET - COATED - SCR-3	-	-	3
7	43804*	SOLID BOTTOM BASKET ASSY. - SCR-6	-	6	-
7	43805*	SOLID BOTTOM BASKET ASSY. - SCR-8	8	-	-
7	43813*	GRID - SOLID BASKET - SCR-6	-	6	-
7	43815*	GRID - SOLID BASKET - SCR-8	8	-	-
7	03504*	BASKET-SCR8 COATED CHICKEN (WALMART)	7	-	-
7	03509*	BASKET - SCR8 - BUTTERFLY	8	-	-
7	03511*	BASKET - SCR6 - BUTTERFLY	-	6	-
8	03524	STIXSTAND SKEWER - MERCH BOARD	1	1	-
9	03525	SKEWER - WOOD W/LOOP	AR	AR	-
10	03526	SKEWER - WOOD -STRAIGHT	AR	AR	-
11	03527	SPIT - ROD - SCR-6	-	AR	-
11	03528	SPIT - ROD - SCR-8	AR	-	-
12	03529	SPIT - ROD - 8 HOOK - SCR-6	-	AR	-
12	03530	SPIT - ROD - 14 HOOK - SCR-8	AR	-	-

\* Not Shown



**Figure 3-2. Heaters and Bulbs**

ITEMNO.	PART NO.	DESCRIPTION	QTY. SCR-8	QTY. SCR-6	QTY. SCR-3
√ 1	45065-09	AIR HEATER-208V 1650W	3	-	-
√ 1	45065-10	AIR HEATER-240V 1650W	3	-	-
√ 1	45065-19	AIR HEATER-230V 1650W	3	-	-
√ 1	45065-03	AIR HEATER-208V 1550W	-	2	1
√ 1	45065-07	AIR HEATER-240V 1550W	-	2	1
√ 1	45065-17	AIR HEATER-230V 1550W	-	2	1
√ 2	BL01-011	HALOGEN BULBS - 150W-120V	4	4	2
√ 2	BL01-022	HALOGEN BULBS-200W-230V - CE ONLY (SN: CA0405009 & ABOVE)	4	4	2
3	40635	LAMP SOCKET - 500W-125V (2 SCREWS)	4	4	2
3	67441	LAMP SOCKET - 250V-10 AMP (4 SCREWS) (SN: CA0405009 & ABOVE) - CE ONLY	4	4	2
4	SC04-017	SCREW	8	8	4
5	44029	FAN BLADE ASSY.	1	1	-
5	45495	FAN BLADE ASSY.	-	-	1
6	67983	HEATER BRACKET	2	2	1
7	SC02-041	SCREW	2	2	1
√ 8	45065-01	RADIANT HEATER-208V 2800W	2	-	-
√ 8	45065-05	RADIANT HEATER-240V 2800W	2	-	-
√ 8	45065-03	RADIANT HEATER-208V 1550W	-	2	-
√ 8	45065-07	RADIANT HEATER-240V 1550W	-	2	-
√ 8	45065-13	RADIANT HEATER-208V 2000W	-	-	1
√ 8	45065-14	RADIANT HEATER-240V 2000W	-	-	1
√ 8	45065-22	RADIANT HEATER-230V 2000W	2	-	-
9	SC02-041	SCREW	6	6	3
10	67983	HEATER BRACKET	3	2	1
11	SC02-041	SCREW	3	2	1
12	SC02-041	SCREW	9	6	3
13*	21657	LAMP GUARD - SCR-6	-	1	-
13*	21658	LAMP GUARD - SCR-8	-	-	1
14*	14241	KIT-SCR-8 DEFLECTOR-RADIANT HTR	1	-	-
14*	14725	KIT-SCR-6 DEFLECTOR-RADIANT HTR	-	1	-

√ recommended parts/\*not shown  
3-4

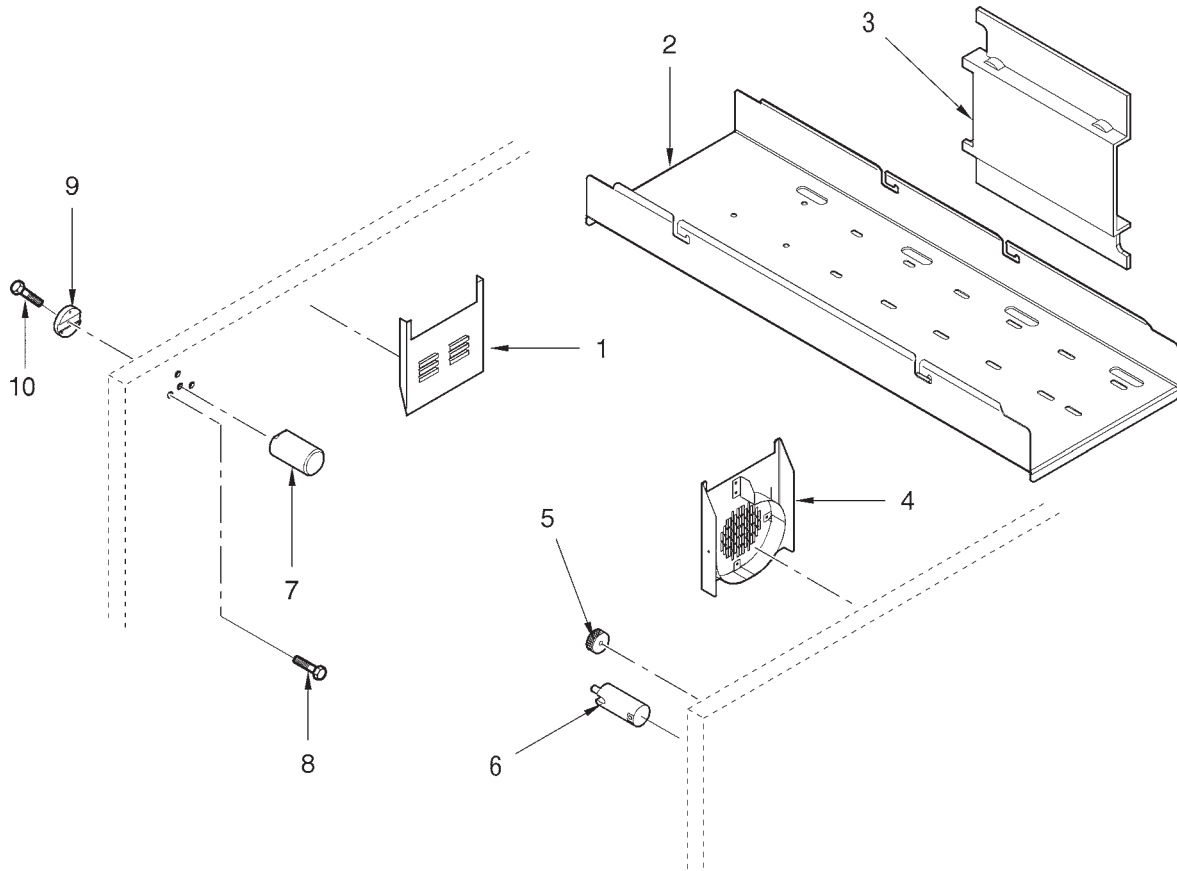


Figure 3-3. Ducts

ITEM NO.	PART NO.	DESCRIPTION	QTY. SCR-8	QTY. SCR-6	QTY. SCR-3
1	40577	REMOVABLE DUCT-L.H	1	-	-
1	49179	REMOVABLE DUCT-L.H. COATED	1	-	-
1	40707	REMOVABLE DUCT-L.H	-	1	-
1	49189	REMOVABLE DUCT-L.H COATED	-	1	-
2	40049	TOP REMOVABLE DUCT	1	-	-
2	40581	TOP REMOVABLE DUCT	-	1	-
2	49845	TOP REMOVABLE DUCT	-	-	1
3	63890	INSULATION, TOP AIR DUCT	1	1	1
4	40309	REMOVABLE DUCT-BLOWER-SCR8	1	-	-
4	43517	REMOVABLE DUCT-BLOWER-SCR6-SN: CA0601003 & BELOW	-	1	-
4	71428	REMOVABLE DUCT-BLOWER-SCR6-SN: CA0601004 & ABOVE	-	1	-
4	49180	REMOVABLE DUCT-BLOWER-COATED	1	-	-
4	49190	REMOVABLE DUCT-BLOWER-COATED-SN: CA0601003 & BELOW	-	1	-
4	71429	REMOVABLE DUCT-BLOWER-COATED-SN: CA0601004 & ABOVE	-	1	-
4	51977	REMOVABLE DUCT-BLOWER	-	-	1
4	52022	REMOVABLE DUCT-BLOWER-COATED	-	-	1
5	40932	REMOVABLE DUCT KNOB	1	1	1
6	40243	ADAPTER HUB	1	1	1
7	40244	BEARING	1	1	1
8	SC01-146	SCREW	3	3	3
9	40240	PLATE	1	1	1
10	SC01-188	SCREW	1	1	1



FIGURE & ITEM NO.	PART NO.	DESCRIPTION	QTY. SCR-8	QTY. SCR-6	QTY. SCR-3
3-4		CONTROLS & DOORS			
1	52307	MENU CARD	5	5	5
2	40828	MEAT PROBE RECEPTACLE/WIRE ASSY	1	1	1
√ 3	37420	. MEAT PROBE RECEPTACLE	1	1	1
4	40823	. BRACKET	1	1	1
5	SC01-073	. SCREW	1	1	1
6	NS02-006	NUT	2	2	2
7	49604	PROBE GUARD	1	1	1
8	NS02-005	NUT	2	2	2
9	-	USE <b>75046</b> & <b>74063</b> -CONTROL DECAL-SCR-6	-	1	-
9	49840	CONTROL DECAL - SCR-3	-	-	1
√ 10	14773	ROTATION SWITCH ASSY	1	1	1
√ 11	43768	POWER SWITCH	1	1	1
√ 12	59363	MEAT PROBE	1	1	1
13	44757	DOOR HANDLE	1	1	1
14	SC06-057	SCREW	2	2	2
15	PN01-024	DOWEL PIN - 1/4 X 2"	4	4	4
16	49261	DOOR ASSY.-CONTROL SIDE W/ HANDLE	-	1	-
16	49262	DOOR ASSY-MIRRORED - CONTROL SIDE W/ HANDLE	-	1	-
16	49263	DOOR ASSY. CUST. SIDE W/O HANDLE	-	1	-
16	49264	DOOR ASSY. CUST. SIDE W/ HANDLE	-	1	-
16	24170	DOOR ASSY. CURVED GLASS - SCR-6	-	1	-
16	49807	DOOR ASSY. CONTROL SIDE W/ HANDLE	-	-	1
16	49808	DOOR ASSY. MIRRORED - CONTROL SIDE W/ HANDLE	-	-	1
16	49809	DOOR ASSY. CUST. SIDE W/O HANDLE	-	-	1
16	49810	DOOR ASSY. CUST. SIDE W/ HANDLE	-	-	1
17	SC01-074	SCREW	4	4	4
18	48549	HINGE - CONTROL SIDE	1	1	1
18	48567	HINGE - CUSTOMER SIDE	1	1	1
19	39752	BUSHING - DOOR	2	2	2
20	70096	DOOR STOP	2	2	2
21	40759	SPRING	6	6	6
22	61736*	DECAL-CUST SIDE ROTATION	1	1	1

√ recommended parts

\* Not Shown

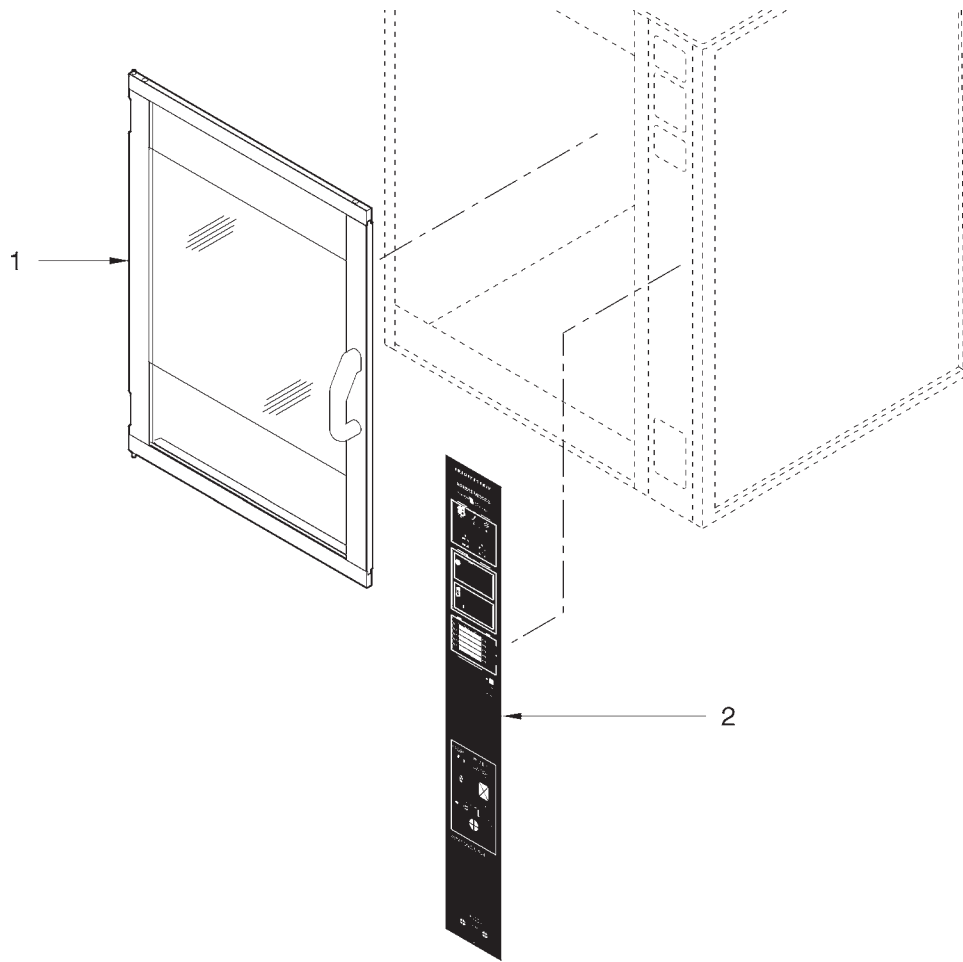
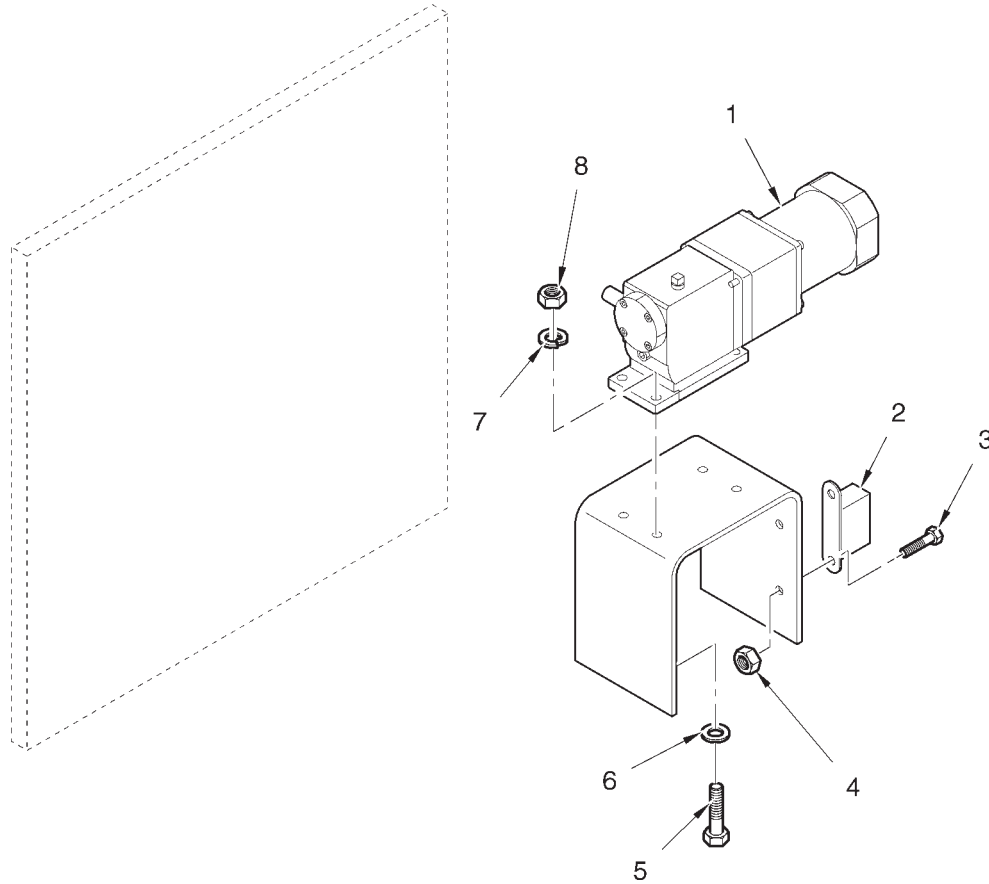


Figure 3-5. SCR-8 Short and Tall Units Special Parts

ITEM NO.	PART NO.	DESCRIPTION	QTY. SCR-8
1	59745	DOOR ASSY-CNTRL. SIDE W/ HNDL-SHORT (SN: JE049JJ & UP)	1
1	59784	DOOR ASSY-MIR.CNTRL SIDE W/ HNDL-SHORT (SN: JE049JJ & UP)	1
1	59772	DOOR ASSY, CUST SIDE W/O HNDL-SHORT (SN: JE049JJ & UP)	1
1	59785	DOOR ASSY, CUST SIDE W/ HNDL-SHORT (SN: JE049JJ & UP)	1
1	21463	DOOR ASSY, CURVED GLASS-SHORT (SN: JE049JJ & ABOVE)	1
1	49751	DOOR ASSY, CNTRL SIDE W/ HNDL-TALL (SN: JE048JJ & BELOW)	1
1	49752	DOOR ASSY, MIR., CNTRL SIDE W/ HNDL-TALL (SN: JE048JJ & BELOW)	1
1	49753	DOOR ASSY. CUST SIDE W/O HNDL-TALL (SN: JE048JJ & BELOW)	1
1	49754	DOOR ASSY. CUST SIDE W/ HNDL-TALL (SN: JE048JJ & BELOW)	1
2	-	USE <b>74062</b> & <b>74063</b> -CONTROL DECAL-SHORT (SN: JE049JJ & ABOVE)	1
2	49607	CONTROL DECAL-TALL (SN: JE048JJ & BELOW)	1
2	61472	CONROL DECAL (POLLO)-TALL (SN: JE048JJ & BELOW)	1
2	-	USE <b>75047</b> & <b>74063</b> - CONTROL DECAL - NO PROBE (WAL-MART)	1

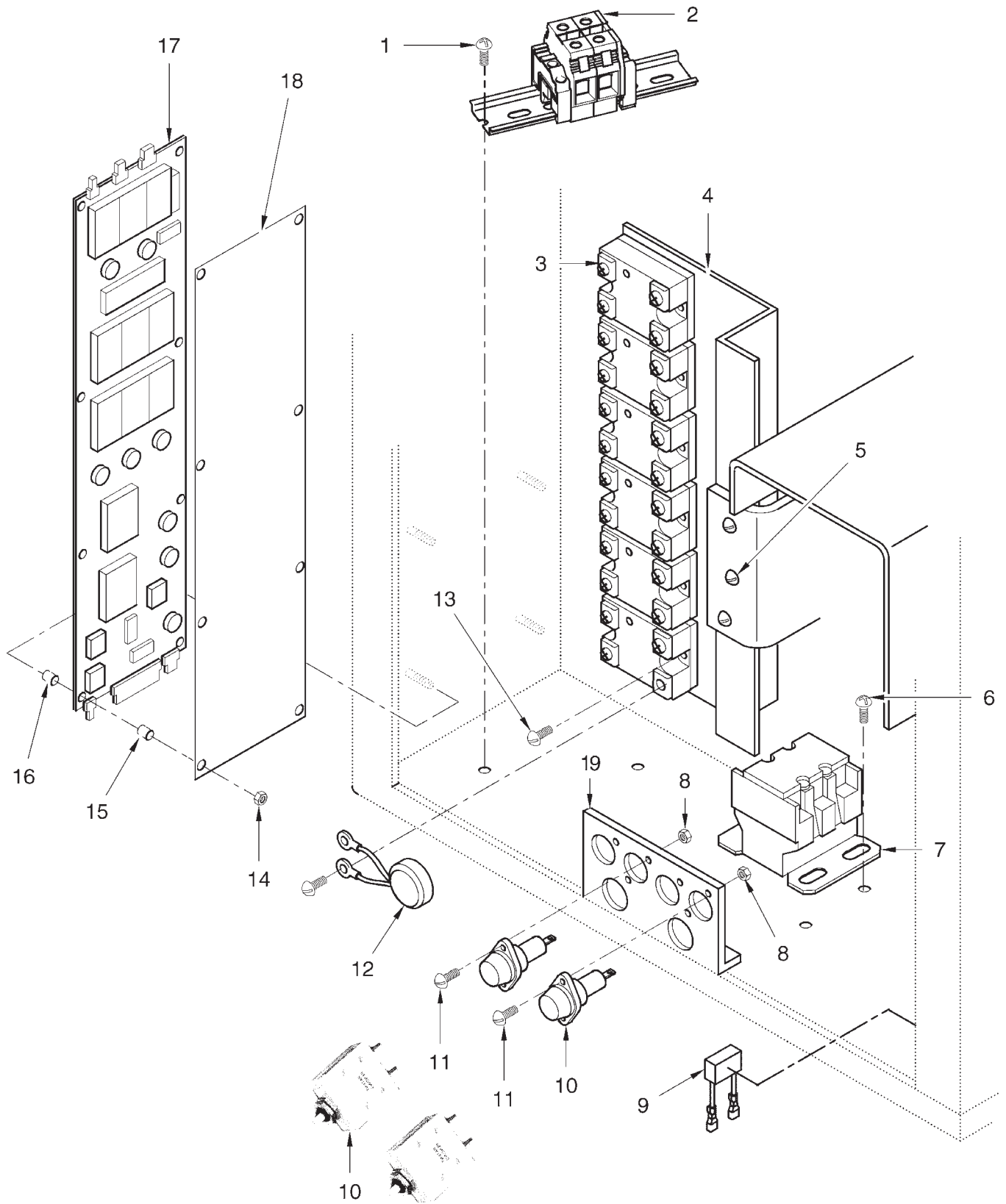




**Figure 3-6. Drive Motor**

ITEM NO.	PART NO.	DESCRIPTION	QTY. SCR-8	QTY. SCR-6	QTY. SCR-3
√ 1	14242	DRIVE MOTOR ASSY. (INCLUDES 56164)	1	1	-
√ 1	49451	DRIVE MOTOR ASSY-240V.	-	-	1
√ 1	44596	DRIVE MOTOR ASSY-208V	-	-	1
√ 2	56164	CAPACITOR, DRIVE MOTOR-4MF	1	1	-
3	SC01-053	SCREW	2	2	-
4	NS02-007	NUT	2	2	-
5	SC01-185	SCREW	4	4	4
6	WA01-024	FLAT WASHER	4	4	4
7	LW01-010	LOCK WASHER	4	4	4
8	NS01-024	NUT	4	4	4
√ 9*	40642	DOOR MAGNET SENSOR	2	2	2
10*	NS02-009	NUT	4	4	4
11*	40501	DOOR SWITCH MAGNET (IN DOOR ASSY.)	5	5	4

√ recommended parts/\* not shown

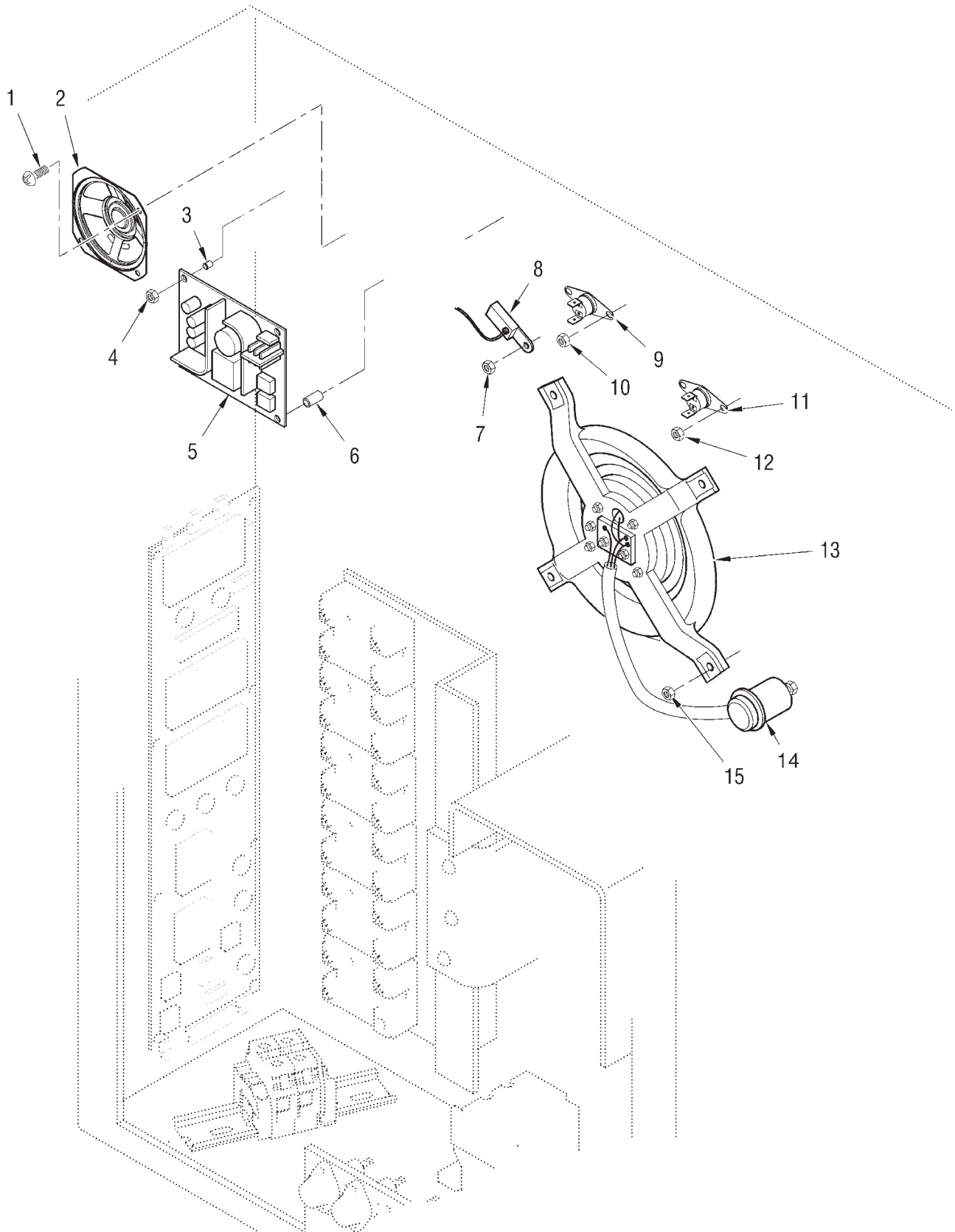


**Figure 3-7. Electrical Components**

FIGURE & ITEM NO.	PART NO.	DESCRIPTION	QTY. SCR-8	QTY. SCR-6	QTY. SCR-3
3-7		ELECTRICAL COMPONENTS			
1	SC04-017	SCREW	2	2	2
2	63727	TERMINAL BLOCK ASSY. - 1 PHASE	1	-	-
2	52994	TERMINAL BLOCK ASSY. - 3 PHASE	1	-	-
2*	52995	TERMINAL BLOCK - CE	1	1	1
√ 3	40645	S.S. RELAY	5	5	4
√ 3	52527	S.S. RELAY-40AMP (14.4KW UNITS)	1	-	-
4	49427	RELAY MOUNT EXTRUSION	1	1	1
5	SC03-008	SCREW	3	3	3
6	SC04-17	SCREW	3	3	3
√ 7	30324	CONTACTOR - 1 PHASE	1	1	1
√ 7	19405	CONTACTOR - 3 PHASE	1	1	1
8	NS02-005	NUT	4	4	4
√ 9	44428	ROTATION SWITCH MOV	2	2	2
√ 10	EF02-006	FUSE HOLDER-SN: CA0610018 & BELOW-SCR6	2	2	2
		SN: CB0610032 & BELOW-SCR8			
√ 10	EF02-125	BREAKER-PUSH BUTTON RESET	2	2	-
		SN: CA0610019 & ABOVE-SCR6			
		SN: CB0610033 & ABOVE-SCR8			
√ 10	EF02-104	FUSE HOLDER - 20A-250V	2	2	-
11	SC01-113	SCREW	4	4	4
√ 12	51980	DRIVE MOTOR RELAY MOV	1	1	1
13	SC02-016	SCREW	10	10	8
14	NS02-005	NUT	8	8	8
15	ME50-013	SPACER	8	8	8
16	ME50-014	SPACER	8	8	8
√ 17	73618RB	CONTROL/DISPLAY BD. ASSY.-STD.	1	1	1
√ 17	73619RB	CONTROL/DISPLAY BD. ASSY.-300°F	1	1	1
		<b>(For Michigan units w/o hoods)</b>			
√ 17	73728RB	CONTROL BD. ASSY.-CAMPERO	1	1	-
√ 17	73731RB	CONTROL BD. ASSY.-250° F	1	1	-
18	49707	CONTROL COVER	1	1	1
19	24698	BRACKET - BREAKER	1	1	-
19	24699	BRACKET - FUSE - INT'L	1	1	-
√ 20*	EF02-007	FUSES - SN: CA0610018 & BELOW-SCR6	2	2	2
		SN: CB0610032 & BELOW-SCR8			
√ 20*	EF02-105	FUSE - 15A (INT'L)	2	2	-

√ recommended parts

\*not shown



**Figure 3-8. High Limit Switches and Blower**

FIGURE & ITEM NO.	PART NO.	DESCRIPTION	QTY. SCR-8	QTY. SCR-6	QTY. SCR-3
3-8		HIGH LIMIT SWITCHES AND BLOWER			
1	SC02-016	SCREW	2	2	2
√ 2	51476	SPEAKER ASSY.	1	1	-
√ 2	54561	SPEAKER ASSY.	-	-	1
3	ME50-033	SPACER	3	3	3
4	NS02-009	NUT	3	3	3
√ 5	TS13-001	40 WATT SWITCHING PWR. SUPPLY	1	1	1
6	ME50-041	STANDOFF	1	1	1
7	NS02-006	NUT	1	1	1
√ 8	29523	PROBE ASSY.	1	1	1
√ 9	37397	HIGH LIMIT-500 DEG.	1	1	-
√ 9	49218	HIGH LIMIT-285 DEG.	-	-	1
10	NS02-005	NUT	2	2	2
√ 11	49938	HIGH LIMIT-450 DEG.	1	1	1
√ 11	49939	HIGH LIMIT- 450 DEG. C.E.	1	1	1
12	NS02-005	NUT	2	2	2
√ 13	41405	BLOWER MOTOR ASSY	1	1	-
√ 13	45059-02	BLOWER MOTOR ASSY-240V	-	-	1
√ 13	45059-01	BLOWER MOTOR ASSY-208V	-	-	1
√ 14	40639	CAPACITOR- BLOWER MOTOR	1	1	-
15	NS02-006	NUT	4	4	4
16*	25706	COOLING FAN BLADE	-	-	1
17*	40842	SEAL- DRIVE MOTOR	1	1	-
18*	44587	SEAL- BLOWER MOTOR	1	1	-
√ 19*	FA51-315	3.15 AMP FUSE (POWER SUPPLY)	1	1	1

√ recommended parts

\* not shown

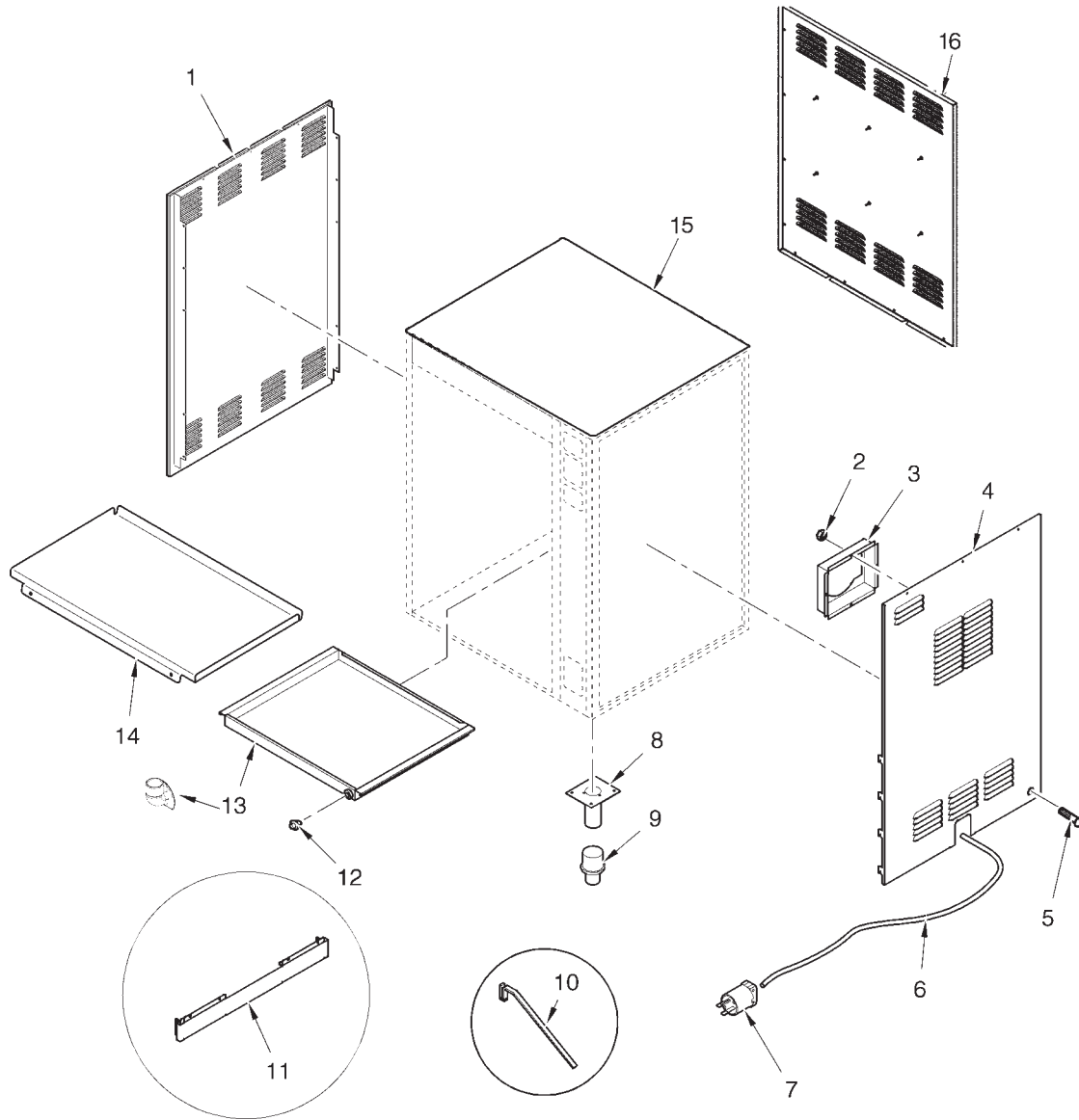


Figure 3-9. Trays, Pans, and Power Cords

FIGURE & ITEM NO.	PART NO.	DESCRIPTION	QTY. SCR-8	QTY. SCR-6	QTY. SCR-3
1	59778	LH BOTTOM ACCESS COVER - SCR-16-SHORT	1	-	-
1	59769	LH ACCESS COVER - SCR-8	1	-	-
1	48563	LH ACCESS COVER - SCR-6	-	1	-
2	NS02-006	NUT #10-24 HEX KEPS C	AR	AR	AR
3	40145	BLOWER BOX	1	1	-
4	51270	RH SIDE PANEL-TALL-SN: JE048JJ & BELOW	1	-	-
4	59771	RH SIDE PANEL-SHORT-SN: JE049JJ & ABOVE	1	-	-
4	59768	RH UPPER SIDE PANEL-SCR-16-SHORT SN: JE049JJ & ABOVE - BOTTOM UNIT	1	-	-
4	49255	RH SIDE PANEL WELDMENT - SCR-6	-	1	-
4	52030	RH SIDE PANEL WELDMENT - SCR-3	-	-	1
5	SC04-003	SCREW - #8-32 X 3/8 PH PHDS.	AR	AR	AR
6	63714-01	POWER CORD ASSY.-GM-INBOARD CASTERS	1	-	-

FIGURE & ITEM NO.	PART NO.	DESCRIPTION	QTY. SCR-8	QTY. SCR-6	QTY. SCR-3
3-9		TRAYS, PANS, AND POWER CORDS (CONTD.)			
6	63714-02	POWER CORD ASSY.-GM-OUTBOARD - TOP	1	-	-
6	63714-03	POWER CORD ASSY.-GM-OUTBOARD - BOT	1	-	-
6	40998	POWER CORD ASSY. - 30 AMP - SCR-6 (3 PH)	-	1	-
6	41659	POWER CORD ASSY. - 50 AMP - SCR-6 (1 PH)	-	1	-
6	41658	POWER CORD - SCR-3	-	-	1
6	63714-06	PWR CORD ASSY-60 AMP-TOP UNIT (COSTCO)	-	-	1
6	63714-07	PWR CORD ASSY-60 A-BOT UNIT (COSTCO)	-	-	1
6	63714-04	PWR CORD ASSY-90° PLUG (ALBERTSON)-TOP	1	-	-
6	63714-05	PWR. CORD ASSY-90° PLUG (ALBERTSON)-BOT	1	-	-
6	54671	POWER CORD ASSY- 90° PLUG (ALBRNSN)	-	1	-
7	16242	PLUG MO-500 NEMA 15-50P - SCR-8	1	-	-
7	40884	PLUG 30A - 250V - NEMA 15-30P - SCR-6	-	1	-
7	45062	PLUG 30A - 250V - NEMA 6-30P - SCR-3	-	-	1
7	58146	PLUG 60A- 3PH 250V-NEMA15-60P 90°(ALBERTSON)	1	-	-
7	21335	PLUG 50A- 3PH 250V 90°(ALBERTSON)	-	1	-
7	37514	PLUG 60A- 3PH 250V	1	-	-
8	41355	MOUNTING PLATE & LEG WELDMENT	4	4	-
9	26120	FEET	4	4	-
10	03195	SPIT REMOVAL TOOL (OPTIONAL)	1	1	-
11	63251	RH LOWER SIDE PANEL-SCR-16-SHORT			
		SN: JE049JJ & ABOVE - BOTTOM UNIT	1	-	-
12	49256	DRAIN PLUG ASSEMBLY-BELOW SN: CA0406003	1	1	1
13	67866	DRAIN PAN ASSY. - SN: JE049JJ & ABOVE	1	-	-
13	67075	ELBOW - DRAIN	1	-	-
	OR01-009*	O-RING SILICONE #2-119	2	-	-
13	49363	DRAIN PAN ASSY. - SN: JE048JJ & BELOW	1	-	-
13	67865	DRAIN PAN ASSY.	-	1	-
13	67075	ELBOW - DRAIN	-	1	-
	OR01-009*	O-RING SILICONE #2-119	-	2	-
13	49851	DRAIN PAN ASSY.	-	-	1
14	48769	DRIP TRAY	2	-	-
14	49763	DRIP TRAY- COATED	2	-	-
14	48755	DRIP TRAY	-	2	-
14	49762	DRIP TRAY- COATED	-	2	-
14	44443	DRIP TRAY	-	-	2
14	21241	DRIP TRAY- COATED	-	-	2
15	70692	CAP - TOP	1	1	-
16	72133	STUD ASSY. - SOLID BACK PANEL (OPTIONAL)	-	1	-
17	63263*	EXT. BACK PANEL STUD ASSY. - SOLID BACK	1	-	-
18	40948*	CASTER 4" RIGID	2	2	-
19	40947*	CASTER 4" SWIVEL W/ BRAKE	2	2	-
20	49270*	DECAL- NON ROTATION CUST. SIDE	1	1	1
21	48787*	DECAL- ROTATION CUST. SIDE	1	1	1
22	PL01-001*	PLUG BUTTON-1/2"	4	4	-
23	58139*	CASTER 3" DIA-4" HT - RIGID (OUTBOARD)	2	-	-
24	58138*	CASTER 3" DIA-4" HT - SWVL-W/BRAKE (OUTBD)	2	-	-
25	14640*	OUTBOARD CASTER KIT (AFTER MAY 1, 2000)	1	-	-

\* Not Shown